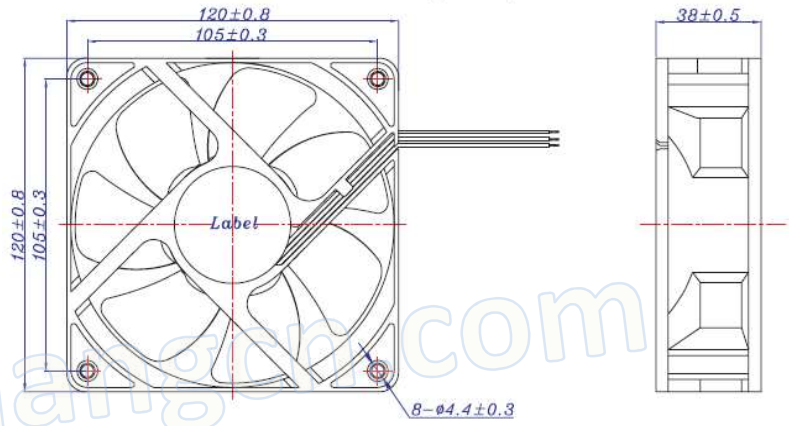


120 X 120 X 38 mm

Dimensions Drawing

OUTLINE(mm)



General Specification:

A、 Frame and Impeller: Thermal Plastic, UL94V-0

B、 Lead Wires: UL Tlype

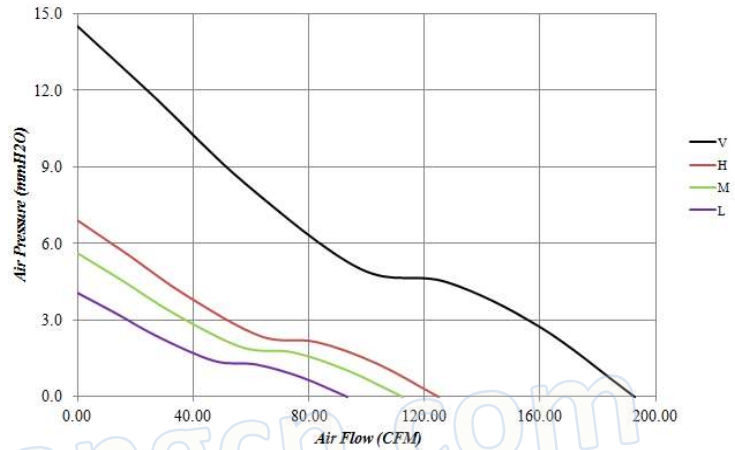
(+): Red (-): Black

C、 Operation Temperature: -10°C~70°C

35%~85RH

D、 Storage Temperature: -40°C~80°C

35%~85RH



Listed Model	Bearing System	Rated Voltage	Operating Voltage	Rated Current	Input Power	Maximum Air Flow	Maximum Air Pressure	Speed	Noise	Weight	
		(V)	(V)	(A)	(W)	(CFM)	(mmAq)	(rpm)	dB(A)	(g)	
FDL12038S	Sleeve	12	6.0-13.2	0.42	5.04	93.39	4.05	2,000	36.5	300	
FDM12038S			6.0-13.2	0.60	7.20	112.40	5.61	2,400	41.4	300	
FDH12038S			6.0-13.2	0.80	9.60	124.70	6.92	2,700	44.8	300	
FDL12038B	Ball		6.0-13.2	0.42	5.04	93.39	4.05	2,000	36.5	300	
FDM12038B			6.0-13.2	0.60	7.20	112.40	5.61	2,400	41.4	300	
FDH12038B			6.0-13.2	0.80	9.60	124.70	6.92	2,700	44.8	300	
FDV12038B			6.0-13.2	2.20	26.40	192.90	14.50	4,000	57.0	300	
FDL12038S2	Sleeve		24	14.0-27.0	0.24	5.76	93.39	4.05	2,000	36.5	300
FDM12038S2				14.0-27.0	0.34	8.16	112.40	5.61	2,400	41.4	300
FDH12038S2				14.0-27.0	0.46	11.04	124.70	6.92	2,700	44.8	300
FDL12038B2	Ball			14.0-27.0	0.24	5.76	93.39	4.05	2,000	36.5	300
FDM12038B2				14.0-27.0	0.34	8.16	112.40	5.61	2,400	41.4	300
FDH12038B2		14.0-27.0		0.46	11.04	124.70	6.92	2,700	44.8	300	
FDV12038B2		14.0-27.0		1.30	31.20	192.90	14.50	4,000	57.0	300	
FDL12038B4	Ball	48		36.0-54.0	0.27	12.96	112.40	5.61	2,400	41.4	300
FDH12038B4				36.0-54.0	0.32	15.36	124.70	6.92	2,700	44.8	300
FDV12038B4				36.0-54.0	0.60	28.80	192.90	14.50	4,000	57.0	300