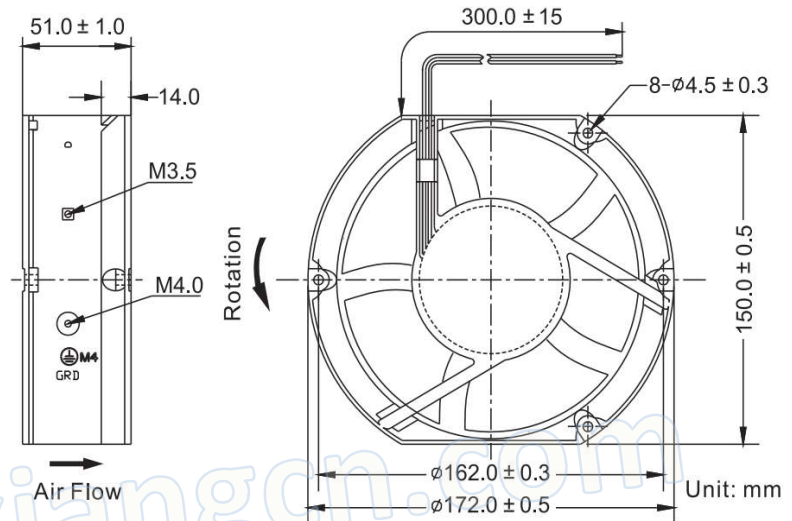


Φ172 X 150 X 51 mm



Dimensions Drawing



General Specification:

A、 Frame and Impeller: Thermal Plastic, UL94V-0

B、 Lead Wires: UL Ttype

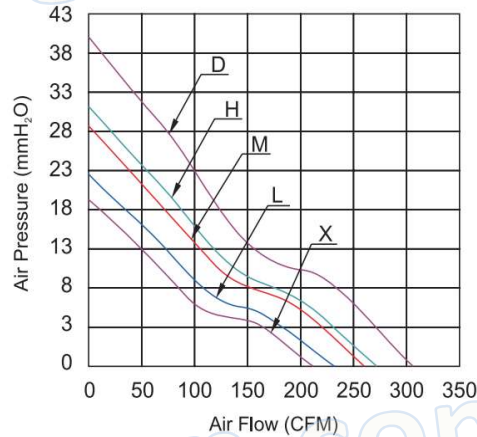
(+): Red (-): Black

C、 Operation Temperature: -10°C ~ 70°C

35% ~ 85RH

D、 Storage Temperature: -40°C ~ 80°C

35% ~ 85RH



Listed Model	Bearing System	Rated Voltage	Operating Voltage	Rated Current	Input Power	Maximum Air Flow	Maximum Air Pressure	Speed	Noise	Weight
		(V)	(V)	(A)	(W)	(CFM)	(mmAq)	(rpm)	dB(A)	(g)
FDX17251B	Ball	12	9.0-13.8	1.70	20.40	211.80	20.00	3,100	56.0	735
FDL17251B			9.0-13.8	2.40	28.80	231.90	23.30	3,400	59.0	735
FDM17251B			9.0-13.8	3.50	42.00	260.70	29.00	3,800	62.0	735
FDX17251B2		24	15.0-27.6	0.70	16.80	211.80	20.00	3,100	56.0	735
FDL17251B2			15.0-27.6	0.95	22.80	231.90	23.30	3,400	59.0	735
FDM17251B2			15.0-27.6	1.40	33.60	260.70	29.00	3,800	62.0	735
FDH17251B2		48	15.0-27.6	1.80	43.20	272.60	31.50	4,000	64.0	735
FDV17251B2			15.0-27.6	2.30	55.20	306.40	39.90	4,500	66.0	735
FDX17251B4			24.0-55.2	0.40	19.20	211.80	20.00	3,100	56.0	735
FDL17251B4		48	24.0-55.2	0.50	24.00	231.90	23.30	3,400	59.0	735
FDM17251B4			24.0-55.2	0.60	28.80	260.70	29.00	3,800	62.0	735
FDH17251B4			24.0-55.2	0.75	36.00	272.60	31.50	4,000	64.0	735
FDV17251B4			24.0-55.2	1.20	57.60	306.40	39.90	4,500	66.0	735