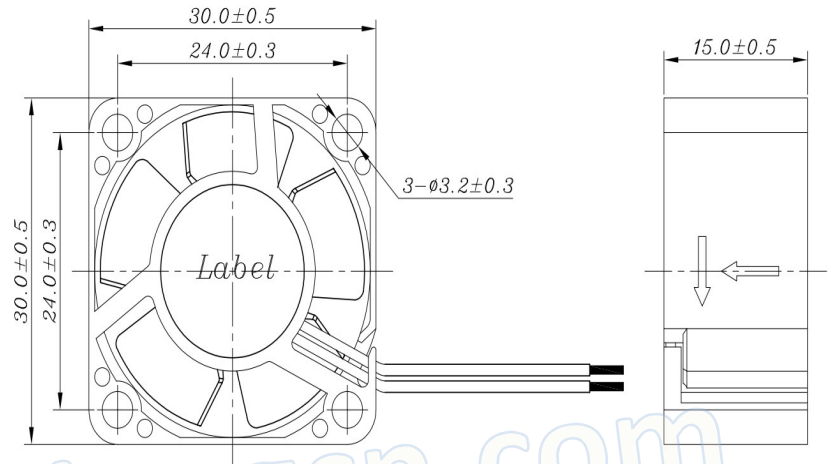


30 X 30 X 15 mm

Dimensions Drawing



General Specification:

A、 Frame and Impeller: Thermal Plastic, UL94V-C

B、 Lead Wires: UL Tlype

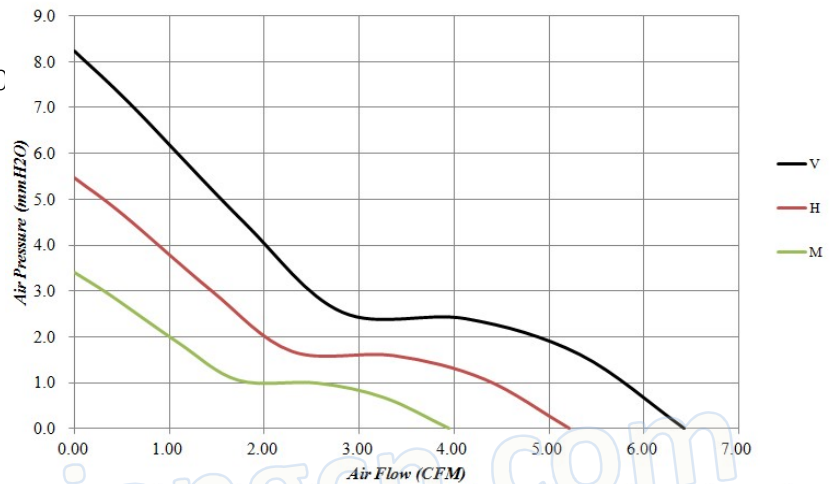
(+): Red (-) Black

C、 Operation Temperature: -10°C~70°C

35%~85RH

D、 Storage Temperature: -40°C~80°C

35%~85RH



Listed Model	Bearing System	Rated Voltage	Operating Voltage	Rated Current	Input Power	Maximum Air Flow	Maximum Air Pressure	Speed (rpm)	Noise (dB(A))	Weight (g)	
		(V)	(V)	(A)	(W)	(CFM)	(mmAq)				
FDL3015S5	Sleeve	5	4.0-6.0	0.15	0.75	3.95	3.41	7,000	20.7	12	
FDM3015S5			4.0-6.0	0.24	1.20	5.21	5.47	9,000	27.3	12	
FDL3015B5	Ball		4.0-6.0	0.15	0.75	3.95	3.41	7,000	20.7	12	
FDM3015B5			4.0-6.0	0.24	1.20	5.21	5.47	9,000	27.3	12	
FDL3015S	Sleeve		12	6.0-13.2	0.09	1.08	3.95	3.41	7,000	20.7	12
FDM3015S				6.0-13.2	0.11	1.32	5.21	5.47	9,000	27.3	12
FDH3015S		6.0-13.2		0.15	1.80	6.42	8.22	11,000	35	12	
FDL3015B	Ball	6.0-13.2		0.09	1.08	3.95	3.41	7,000	20.7	12	
FDM3015B		6.0-13.2		0.11	1.32	5.21	5.47	9,000	27.3	12	
FDH3015B		6.0-13.2		0.15	1.80	6.42	8.22	11,000	35	12	