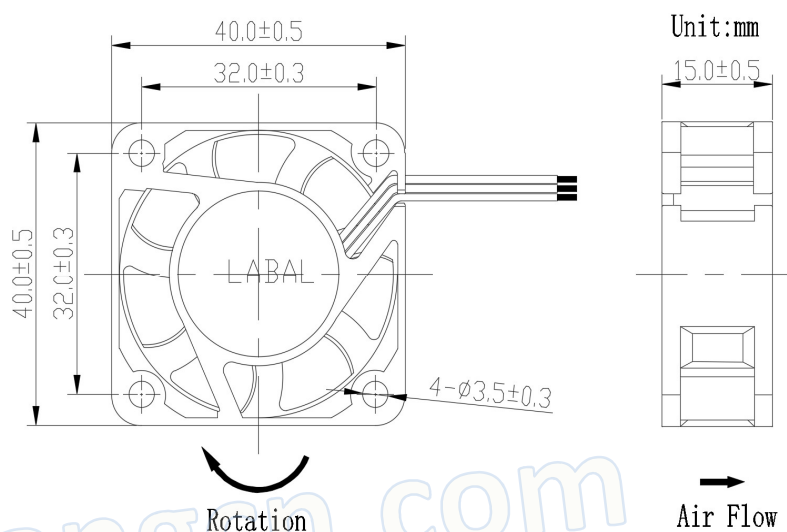


40 X 40 X 15 mm

Dimensions Drawing



General Specification:

A、 Frame and Impeller: Thermal Plastic, UL94V-0

B、 Lead Wires: UL Type

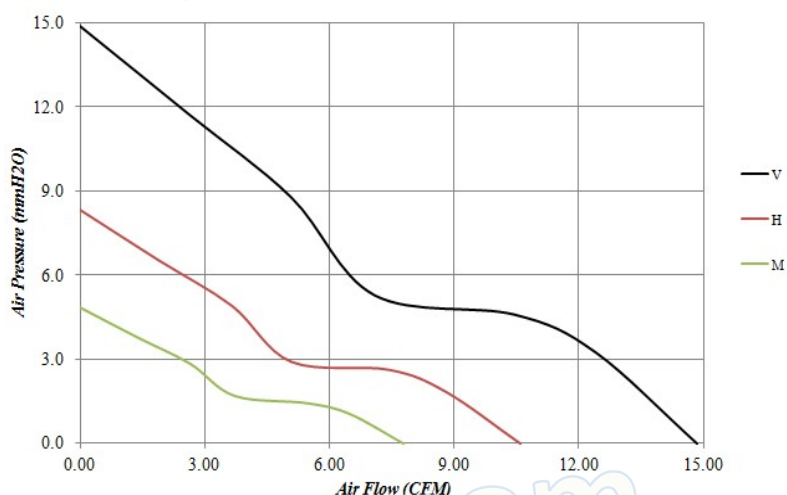
(+): Red (-) Black

C、 Operation Temperature: -10°C~70°C

35%~85RH

D、 Storage Temperature: -40°C~80°C

35%~85RH



Listed Model	Bearing System	Rated Voltage	Operating Voltage	Rated Current	Input Power	Maximum Air Flow	Maximum Air Pressure	Speed	Noise	Weight
		(V)	(V)	(A)	(W)	(CFM)	(mmAq)	(rpm)	dB(A)	(g)
FDL4015S	Sleeve	12	6.0-13.2	0.10	1.20	7.78	4.82	6,000	30.8	22
FDM4015S			6.0-13.2	0.15	1.80	10.60	8.32	8,000	36.5	22
FDH4015S			6.0-13.2	0.30	3.60	14.84	14.90	11,000	47.8	22
FDL4015B	Ball		6.0-13.2	0.10	1.20	7.78	4.82	6,000	30.8	22
FDM4015B			6.0-13.2	0.15	1.80	10.60	8.32	8,000	36.5	22
FDH4015B			6.0-13.2	0.30	3.60	14.84	14.90	11,000	47.8	22
FDM4015S2	Sleeve	24	14.0-27.0	0.11	2.64	10.60	8.32	8,000	36.5	22
FDH4015S2			14.0-27.0	0.18	4.32	14.84	14.90	11,000	47.8	22
FDM4015B2	Ball		14.0-27.0	0.11	2.64	10.60	8.32	8,000	36.5	22
FDH4015B2			14.0-27.0	0.18	4.32	14.84	14.90	11,000	47.8	22